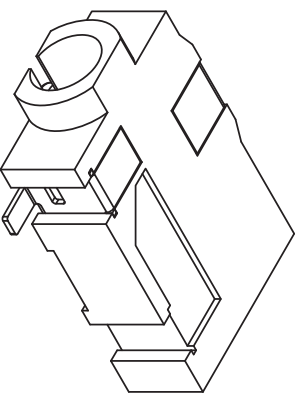
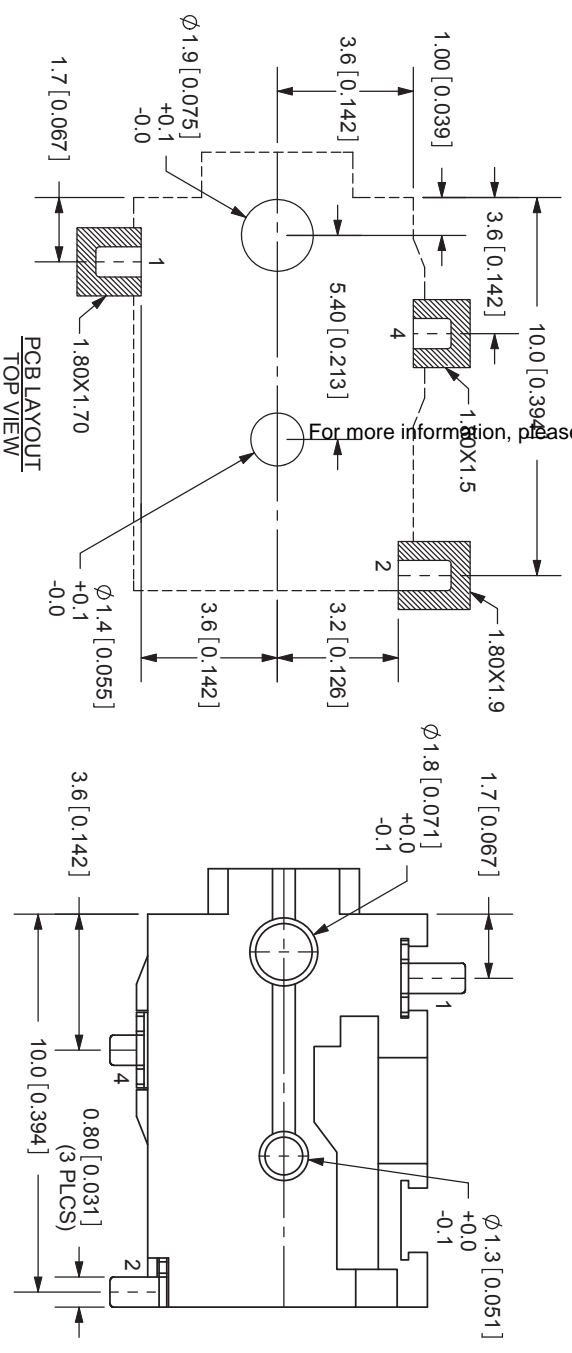
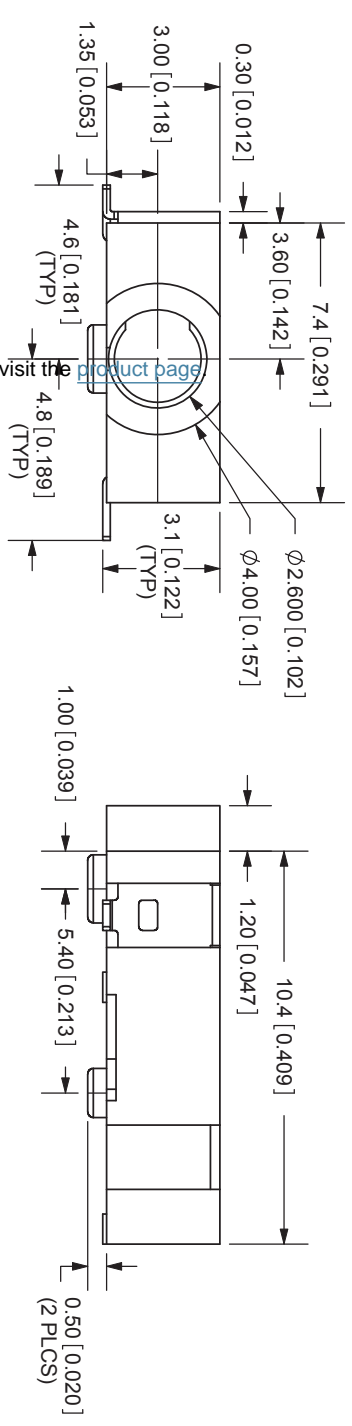


REV.	DESCRIPTION	DATE
A	NEW DRAWING	4/11/2006
B	housing updated	9/8/2010
C	added TR packaging option	11/7/2012

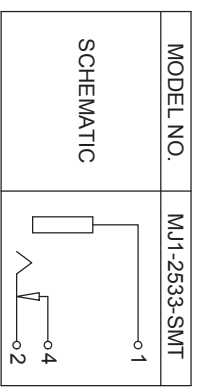


Note:  
Add suffix "-TR" to the model number for  
tape & reel packaging

TOLERANCE:  
X.X ±0.2mm  
X.XX ±0.1mm  
X.XXX ±0.05mm



**SPECIFICATIONS:**  
RATING: 12V DC @ 1A  
CONTACT RESISTANCE: 50m OHMS MAX  
INSULATION RESISTANCE: 100M OHMS MIN: 500V DC  
VOLTAGE WITHSTAND: 500V AC R.M.S. FOR 1 MINUTE  
LIFE: 5,000 CYCLES



PC FILE NAME: MJ1-2533-SMT  
COPYRIGHT 2012 BY CUI INC.

TERMINAL	MATERIAL	PLATING
TERMINAL 1	Copper Alloy	Gold
TERMINAL 2	Copper Alloy	Gold
TERMINAL 4	Brass	Gold
BODY	PA6T	

TITLE:	2.5mm SURFACE MOUNT MONO JACK	REV:	C
PART NO.	MJ1-2533-SMT	UNITS:	MM [INCHES]
DRAWN BY:	ZRJ	APPROVED BY:	
SCALE:			5:1

20050 SW 112th Ave.  
Tualatin, OR 97062  
Phone: 503-612-2300  
800-275-4899  
Fax: 503-612-2383  
Website: www.cui.com